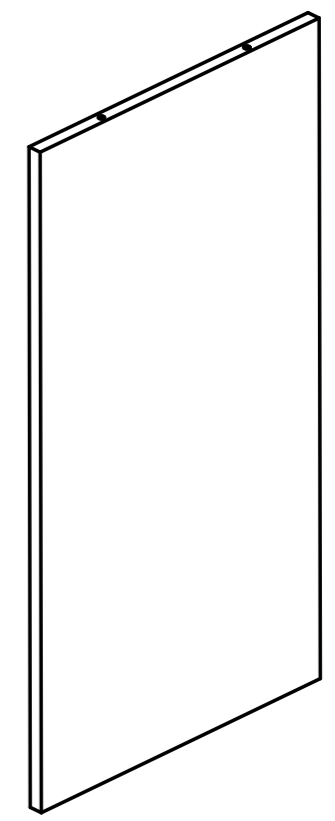
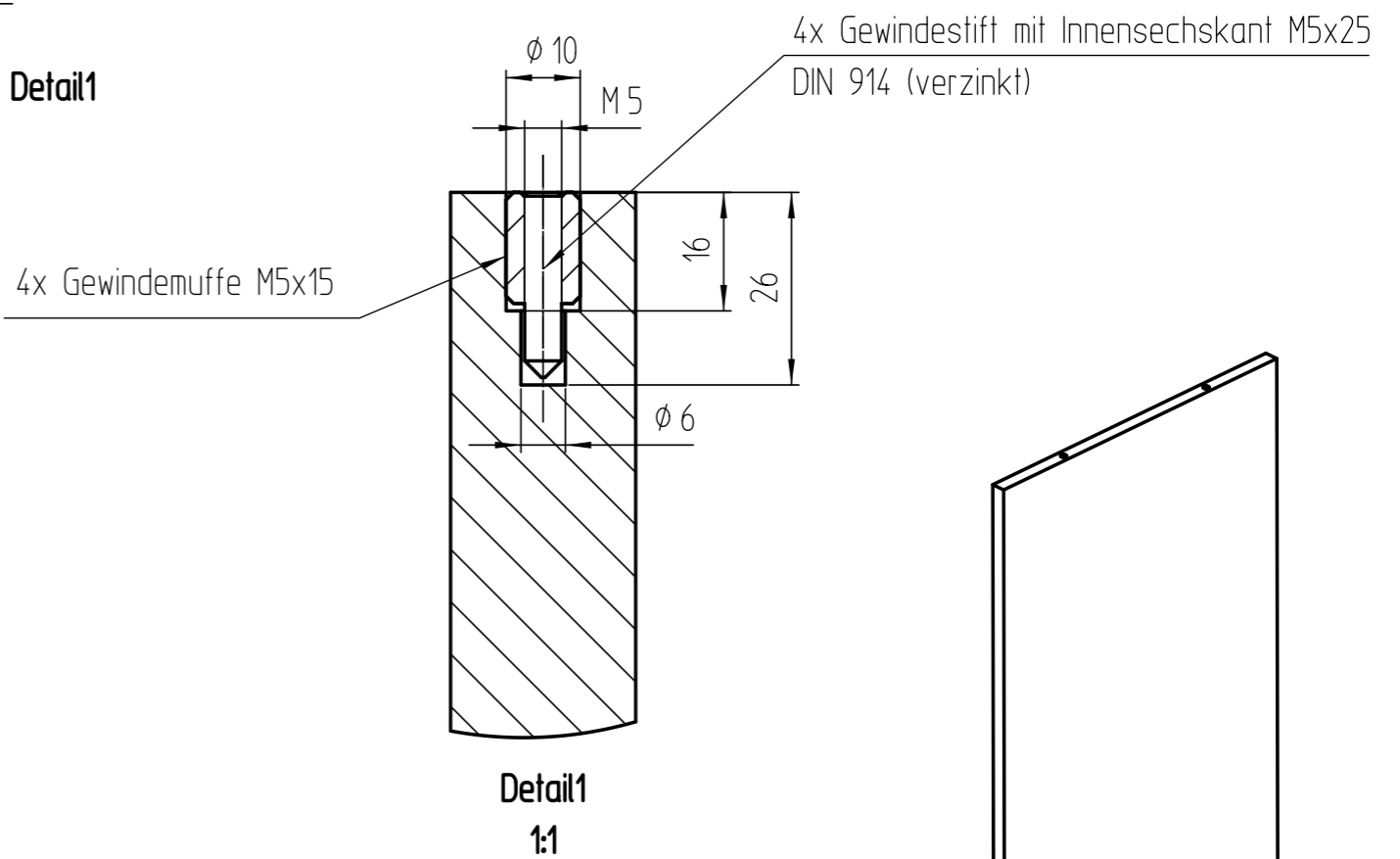
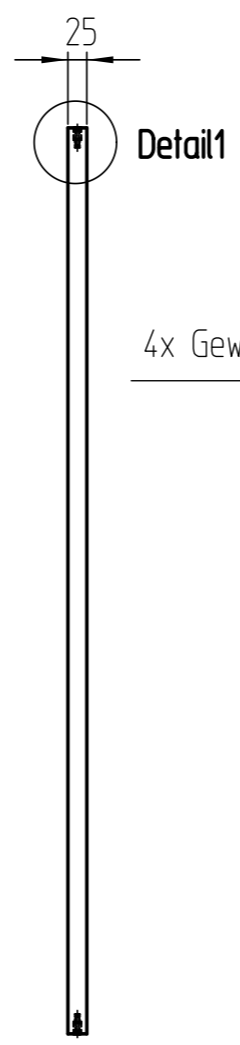
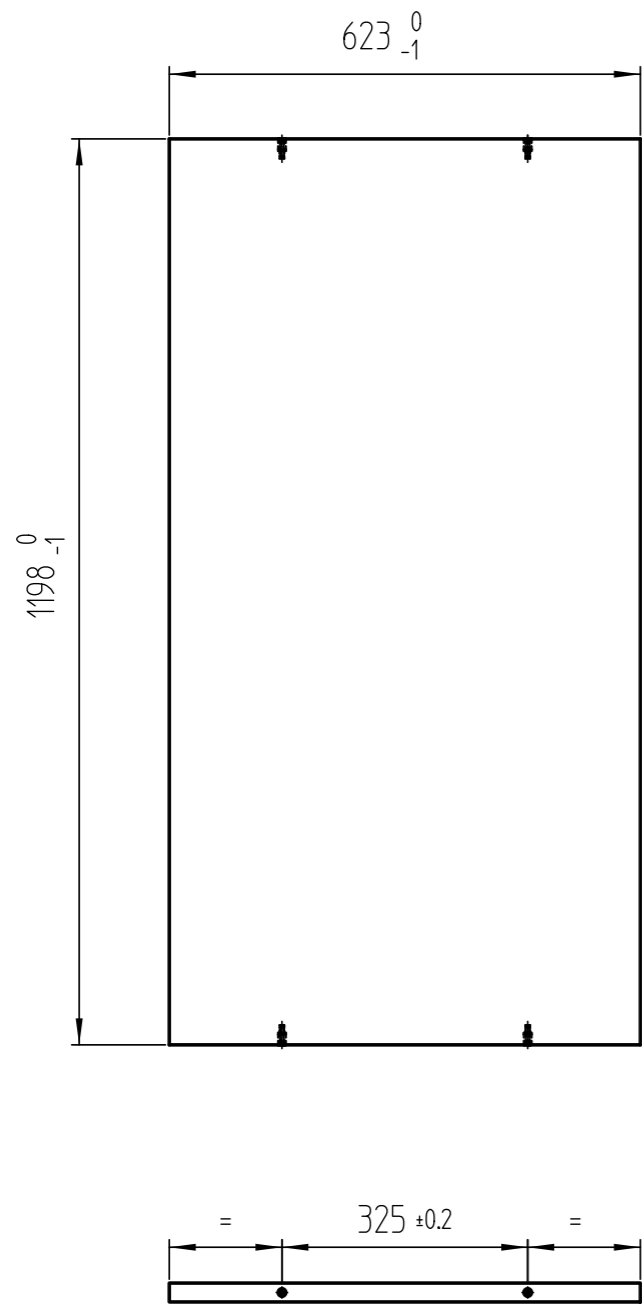


Any intellectual property right subsisting in this drawing is owned by our companies. Transmitting, using or copying without permission is prohibited. Ohne unsere Genehmigung darf diese Zeichnung weder kopiert noch an Drittpersonen weitergegeben werden.



Leichtbauplatte
 Oberfläche nach Auftrag
 Plattenkanten roh geschliffen
 Lieferung incl. Muffen und Gewindestifte

| Piece | Designation/Description | Drawing/Mat.-Nr. | Pos | Material | DIN/VBN | Remark |
|-----------------|-------------------------|------------------|----------------|-----------------------|-----------------|--------------------|
| Changings | | | | | | |
| Used by | | First used for | | Foreign designation | | Format Index Sheet |
| | Date | Name | Weight/kg | 14,033 | Development No. | |
| Designed | 20.09.21 | Renk_A | Free Dim. Tol. | Main Scale | 705-436 | 3 A 1/1 |
| Released | 20.09.21 | Renk_A | ISO 2768-mK | 1:10 | | |
| In Change | | | | | Replacement for | |
| Designation | | | | Panel A650 mitte groß | | |
| Project | | | | | | |
| Customer901 | | | | | | |
| www.visplay.com | | | | | | |